

8640 Series Duplex Rotolok™ Filter

For pressures to 600 psi and flows to 75 gpm - 1 1/4" ports.

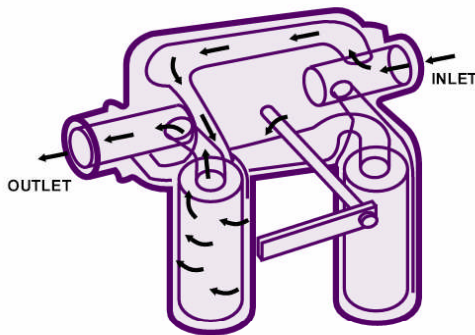
Conforms to GM, Ford, and AIAG standards for hydraulic HF3 filters.

Design Features

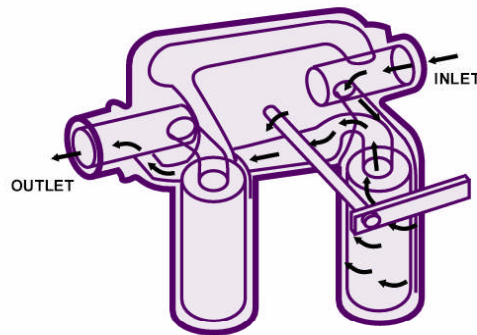
- Pressure balanced
- Synchronous interflow
- Low actuating force (N5 lbs.)
- Clean oil pressurization
- Hand servicing
- Seal retention system
- Safety latching
- Service elements quickly
- Filter valve options
- Ensures continuous filtration even during element change



8640 Series Duplex Rotolok™ Filter



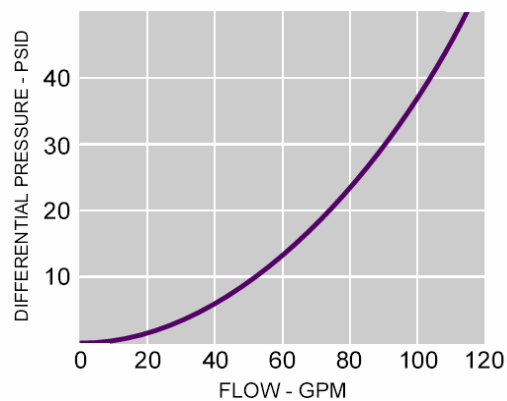
Filter 'A' in service



Filter 'B' in service

Housing Pressure Drop

Using oil with Sp. G \leq 0.9. Pressure drop is directly proportional to specific gravity.



Element Pressure Drop Factor

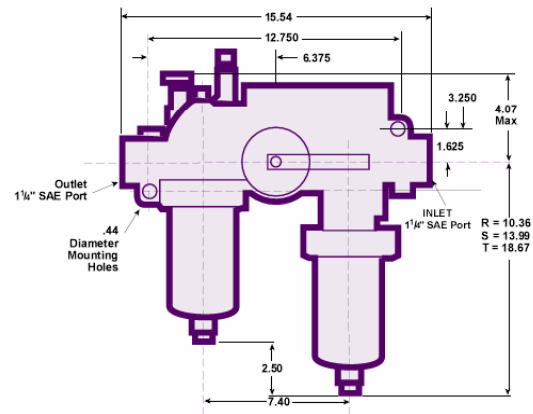
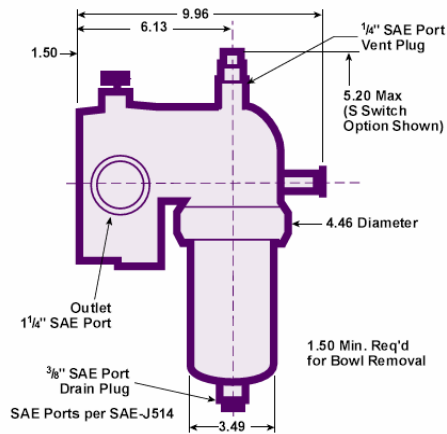
Multiply actual flow rate times factor to determine pressure drop with fluid at 150 SUS, 0.9 S.G. Correct for other viscosities by multiplying this by:

New viscosity in cSt/32 x new Specific Gravity/0.9 or
New viscosity in SUS/150 x new Specific Gravity/0.9

LENGTH	9600 SERIES ELEMENT ΔP FACTOR (PSID/GPM)					9606 DS
	KZ	KP	KN	KS	KT	
4"	0.62	0.31	0.23	0.17	0.11	0.17
8"	0.32	0.16	0.12	0.09	0.06	0.09
13"	0.20	0.10	0.07	0.05	0.04	0.05

8640 SERIES

Technical Data



Ordering Information

Assembly Part No: H 864 A20

TABLE 1 TABLE 2 TABLE 3 TABLE 4 TABLE 5 TABLE 6

Replacement Element Part No.: HC960 F

TABLE 2 TABLE 3 TABLE 7 TABLE 1

TABLE 1

SEAL OPTION	
CODE	SEAL MATERIAL
Z	Fluorocarbon

TABLE 2

ELEMENT COLLAPSE RATING	
CODE	RATING
0	290 psid (20 bar) For housings with bypass valves
6	600 psid (41 bar) For housings without bypass valves

TABLE 3

FILTER MEDIA OPTIONS		
FILTER MEDIA CODE	ABSOLUTE REMOVAL MICRON $\beta\chi = 200$	AVAILABLE FOR
KZ	1	8640 only
KP	3	
KN	6	
KS	12	
KT	25	
DS	12	8646 only

TABLE 4

HOUSING DATA		
CODE	ELEMENT LENGTH	DRY WT. (MAX.)
R	4"	52.5 lb. 23.9 kg.
S*	8"	54.5 lb. 24.8 kg.
T	13"	56.5 lb. 25.7 kg.

* Takes Automotive Industry HF3 Element

Specifications

Materials

Valve - Cast Iron, Steel Components
Head - Cast Iron
Bowl - Carbon Steel

Pressure Ratings

Working Pressure: 600 psi (41 bar)
Burst Pressure (Typical): 2800 psi (193 bar) —
R and S length
1600 psi (110 bar) —
T length

Finish

Paint on a black phosphate base

Notes

For applications where reverse flow is possible a check valve and/or bypass valve must be installed downstream of the duplex assembly.

TABLE 5

VALVE OPTIONS	
CODE	VALVES
B	50 ± 5 psid bypass only
A	25 ± 5 psid bypass only
W	Non-bypass valve

TABLE 6

ΔP DEVICE OPTIONS	
CODE	ΔP DEVICE
BT	Bleed plug and seal in place of ΔP device.
DT	VISUAL INDICATOR - red button rises on actuation, remains up until manually reset.
PT	Visual indicator with thermal lockout and manual reset. No signal below 32°F, signal above 80°F indicator.
LT	ELECTRICAL SWITCH - SPDT. Connection: 1/2" male conduit threads (3) Color coded 6" (150mm) flying leads. Automatic reset.
ST	ELECTRICAL SWITCH - SPDT. Connections: MS Pin Receptical per MS 3102R1DSL-3P. Automatic reset.
TT	ELECTRICAL SWITCH - SPDT. Connections: DIN (Hirshman) connector (4 Pin). Automatic reset.
MT	ELECTRICAL SWITCH - SPDT. Connection: DIN with wiring cap. Automatic reset.

TABLE 7

ELEMENT SIZE	
LENGTH CODE	REF. HOUSING LENGTH
4	R
8	S
13	T

DRB Industries LLC
3104 South Elm Place, Suite I
Broken Arrow, OK 74012
Phone: 918-286-7176
Fax: 918-286-7215
www.drbindustries.com

