

Technical Specification
3DS Pilot Valve

Pilot valve with integral silencer and dust shroud to mount directly to dust collector diaphragm valve.



Suitable for

RCAC20T3, RCAC20ST3, RCAC20DD3, RCAC20FS3, RCAC25T3, RCAC25DD3, RCAC25FS3 dust collector valves only.

Installation

Ensure o-ring is in place on diaphragm valve cover. Gripping the shroud, hand tighten 3DS pilot valve onto cover of diaphragm valve. For reliable operation, ensure supply voltage is within -10% and +15% of rated solenoid voltage. Solenoid is free to rotate on pilot valve. 3DS thread will suit 1/8 BSP T, 1/8 BSP P and 1/8 NPT ports. Replace pilot components within 1 million cycles (refer to Spare Parts).

Construction

- Body:** Al 2011-T3
- Ferrule:** 302 SS
- Armature:** 430FR SS
- Encapsulation:** PA-6
- Insulation:** Class B/130°C
- Seals:** Nitrile
- Shroud:** PA-6

Operation

- Recommended on time range:** 50-500ms
- Recommended time between pulses:** 1 minute or greater

Approvals

- C-Tick
- EMC (89/336/CE)

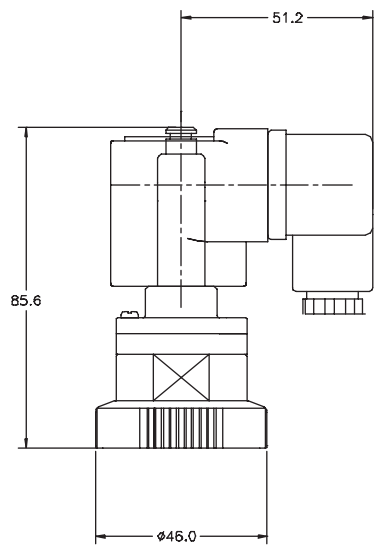
Options

None

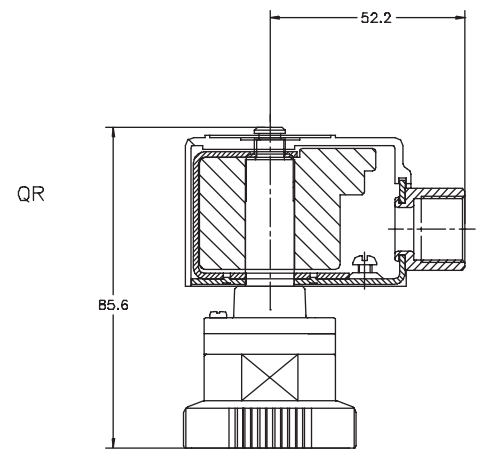
Dimensions and Weights

(Dimensions in mm)

Series	Weight
3DS-0	0.096 kg / 0.211 lb
3DS-300 to 3DS-306	0.246 kg / 0.542 lb
3DS-310 to 3DS-324	0.266 kg 0.586 lb



3DS-300 to 3DS-306



3DS-310 to 3DS-324

Product Performance

Flow	Maximum Working Pressure	Minimum Working Pressure	Temperature Min	Temperature Max	Fluid Media
0.32 Cv	860 kPa	0 kPa	-40°C	82°C	Air or inert gas
0.27 Kv	125 psi	0 psi	-40°F	180°F	

Spare Parts

- K0380 Nitrile replacement seal, armature, spring and ferrule.
- K0384 As above in viton rubber.

Order Code and Electrical Characteristics

Model	Connection Type	Protection Class	Voltage	Power
3DS-300	DIN 43650A	IP64	200/240V 50/60Hz	23.1 VA
3DS-301	DIN 43650A	IP64	100/120V 50/60Hz	19.8 VA
3DS-302	DIN 43650A	IP64	24V 50/60 Hz	23.1 VA
3DS-303	DIN 43650A	IP64	110VDC	24 W
3DS-304	DIN 43650A	IP64	48VDC	20 W
3DS-305	DIN 43650A	IP64	24VDC	20 W
3DS-306	DIN 43650A	IP64	12VDC	20 W
3DS-310	Conduit (M20x1.5)	IP31	200/240V 50/60Hz	23.1 VA
3DS-311	Conduit (M20x1.5)	IP31	100/120V 50/60Hz	19.8 VA
3DS-312	Conduit (M20x1.5)	IP31	24V 50/60 Hz	23.1 VA
3DS-313	Conduit (M20x1.5)	IP31	24VDC	20 W
3DS-314	Conduit (M20x1.5)	IP31	12VDC	20 W
3DS-320	Conduit (1/2" NPSC)	IP31	200/240V 50/60Hz	23.1 VA
3DS-321	Conduit (1/2" NPSC)	IP31	100/120V 50/60Hz	19.8 VA
3DS-322	Conduit (1/2" NPSC)	IP31	24V 50/60 Hz	23.1 VA
3DS-323	Conduit (1/2" NPSC)	IP31	24VDC	20 W
3DS-324	Conduit (1/2" NPSC)	IP31	12VDC	20 W