

Technical Specification NEMA4/Raintight/
ATEX II 3 D G Diecast Pilot Valve
Enclosures (5, 8, 12 valve)

**Diecast aluminium enclosures for Goyen
RCA3D pilot valves, available optionally
with anti-condensation heater.**



3-5V Enclosure

3-8V Enclosure

3-12V Enclosure

Suitable for

ATEX Category 3 D & G, and all other non-hazardous applications, for piloting Goyen diaphragm valves.

Installation

Ensure device is disconnected from power before opening the enclosure. These enclosures are all finished with the common solenoid terminals pre-wired.

For reliable operation, ensure supply voltage is within -10% and +15% of rated solenoid voltage.

To guarantee NEMA4 performance ensure gasket is in place when attaching lid to enclosure base. Replace components within 1 million cycles (refer to Spare Parts).

Construction

- Body:** AI 2011-T3
- Pilot Body:** AI 2011-T3
- Ferrule:** 302 SS
- Armature:** 430FR SS
- Seals:** Nitrile
- Screws:** 302 SS
- Clip:** Mild steel (plated)
- Pilot Valve Thread Type:** PA-6
- Conduit Entry Thread Type:** PA-6

Operation

- Recommended on time range:** 50-500ms
- Recommended time between pulses:** 1 minute or greater

Options

None

Product Performance

Flow	Maximum Working Pressure	Minimum Working Pressure	Temperature Min	Temperature Max	Fluid Media
0.32 Cv	860 kPa	0 kPa	-40°C	82°C	Air or inert gas
0.27 Kv	125 psi	0 psi	-40°F	180°F	

Refer to Q Series Solenoid product specification for electrical performance details.

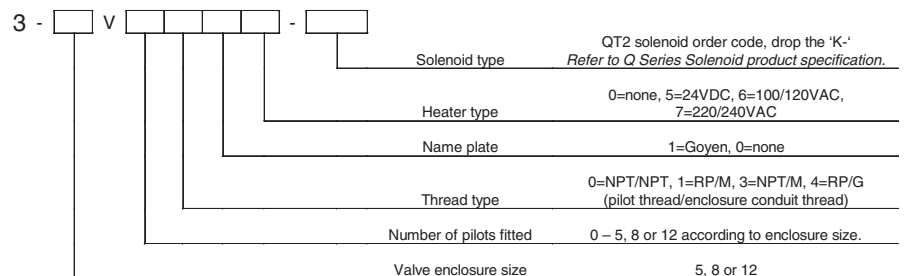
Approvals

- C-Tick
- EMC (89/336/CE)

Spare Parts

- K0380 Nitrile replacement seal, armature, spring & ferrule kit.
- K0384 As above in viton.
- RCA3D0-*** Replacement pilot assemblies.
- RCA3D1-*** Refer to RCA3D Remote Pilot product data sheet.

Order Code

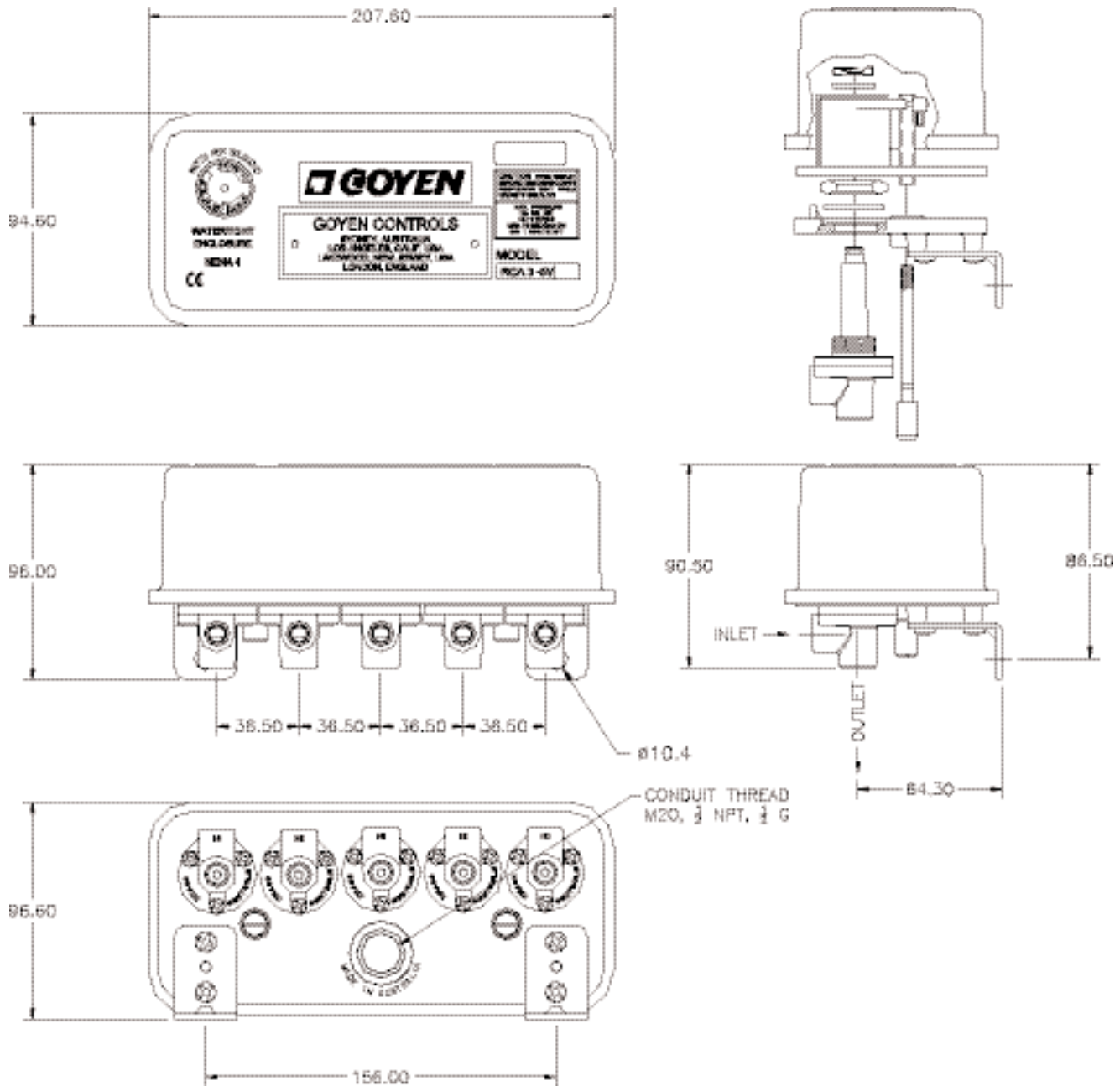


Example: 3-8V6010-330
8 valve enclosure, fitted with 6 pilots, with NPT pilot and conduit thread type, Goyen name plate, no heater element and 220/240VAC 50/60Hz solenoids.

Note that enclosures are pre-wired with QT2 type solenoids only.

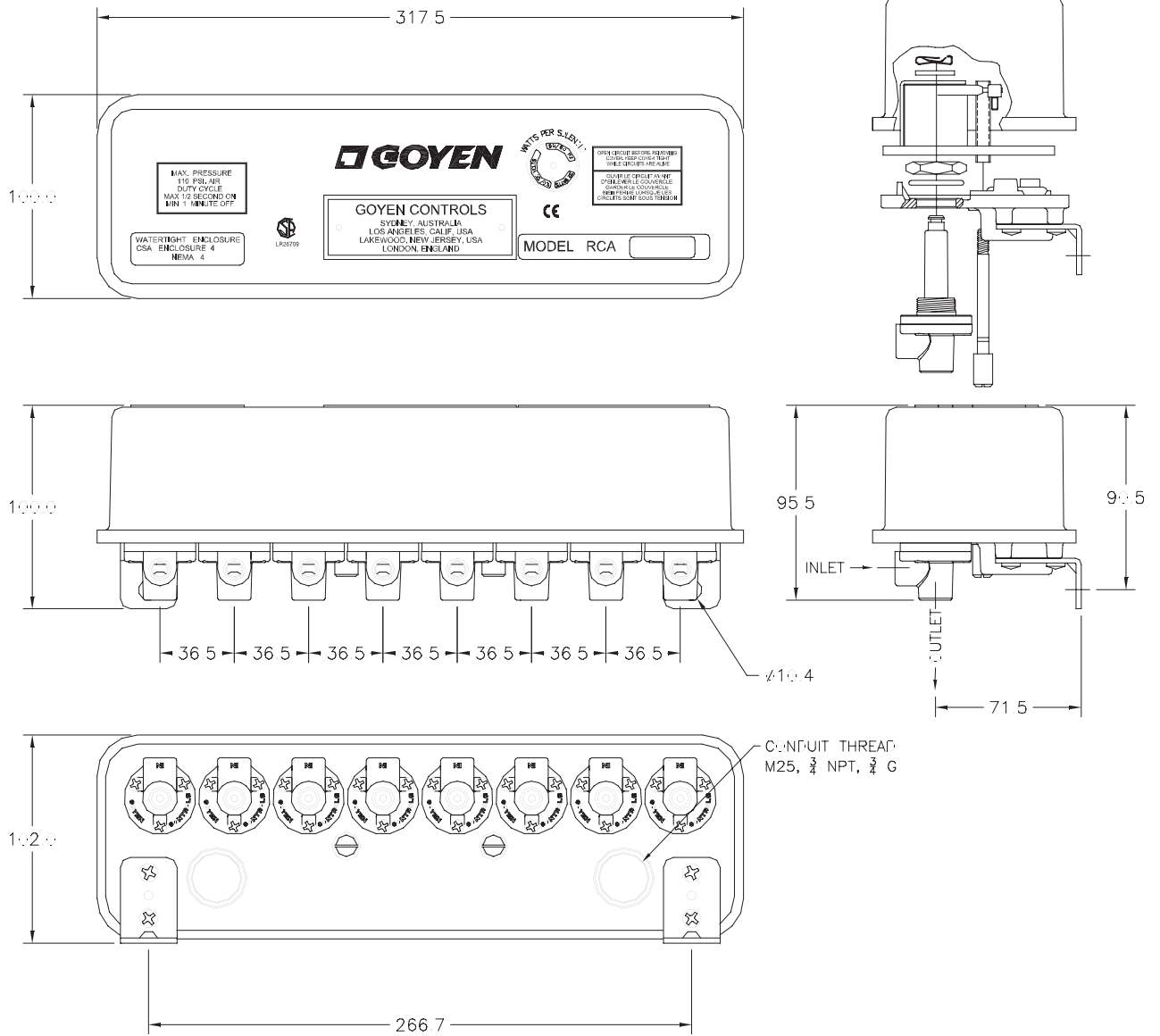
Dimensions and Weights

(Dimensions in mm)



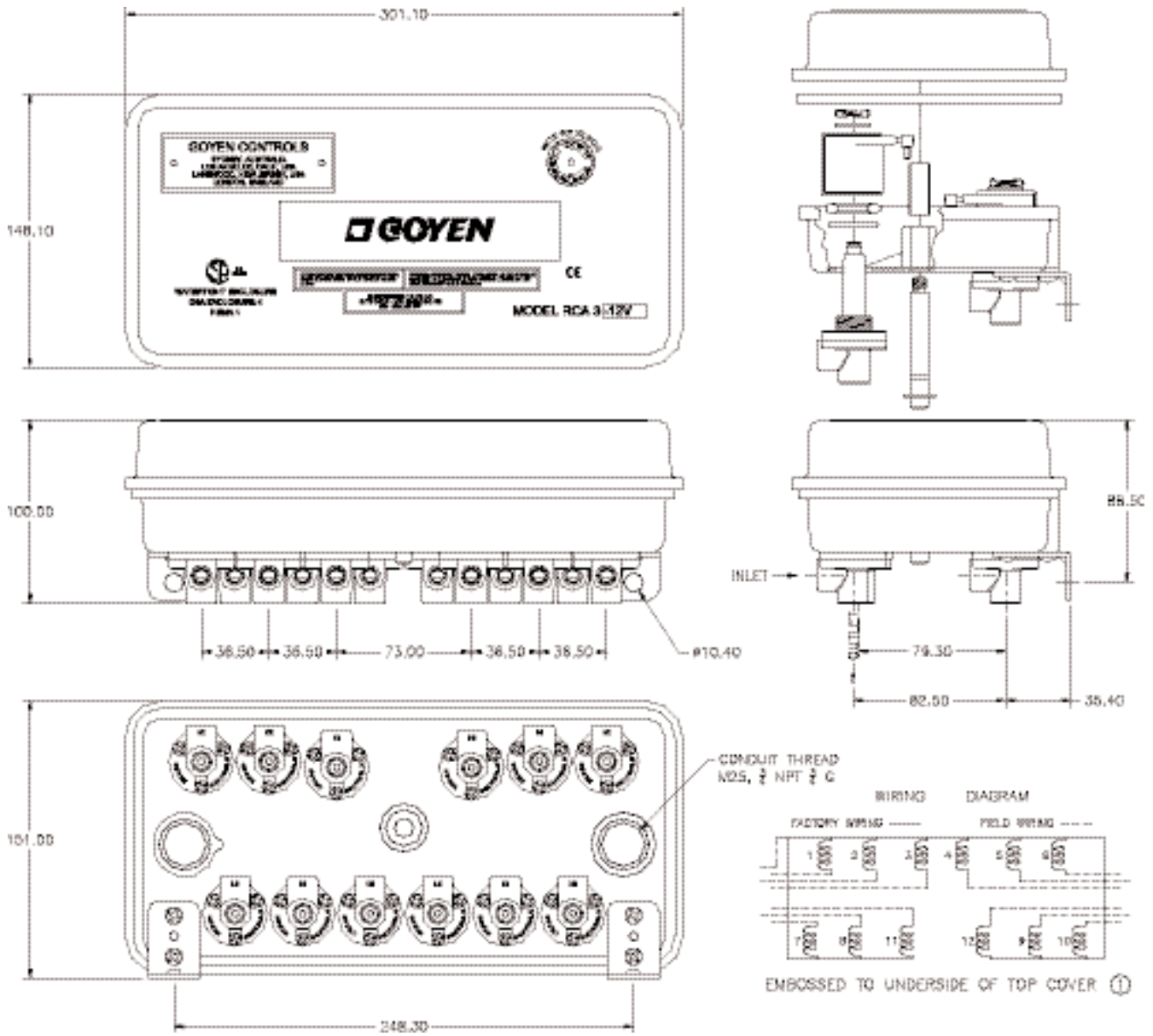
3-5V5 Series

Mass = 0.814 Kg + 0.174 Kg per valve pilot fitted
 (1.795 lb + 0.384 lb per pilot valve fitted)



3-8V8

Mass = 1.280 Kg + 0.174 Kg per pilot valve fitted
 (2.820 lb + 0.384 lb per pilot valve fitted)



3-12V12

Mass = 1.574 Kg + 0.174 Kg per pilot valve fitted
 (3.470 lb + 0.384 lb per pilot valve fitted)